

Notes

All dimensions in millimeters unless otherwise noted.

Do not scale from drawings, use figured dimensions only.

This drawing or any part of it may not be reproduced without prior consent.

The access roads shown are internal roads within the substation compound.

Drawings are for planning only and should not be used for detailed design. The detailed design will be subject to EirGrid approval based on their latest specifications at the time, and equipment dimensions/siting may vary once the exact specification are determined

Legend

Revisions

REV	DATE	DESCRIPTION
0	13.10.25	Issued for Planning

Drawn By: RH
Approved By: MMC

Summary

Project
Drumdowney Substation & Grid Connection

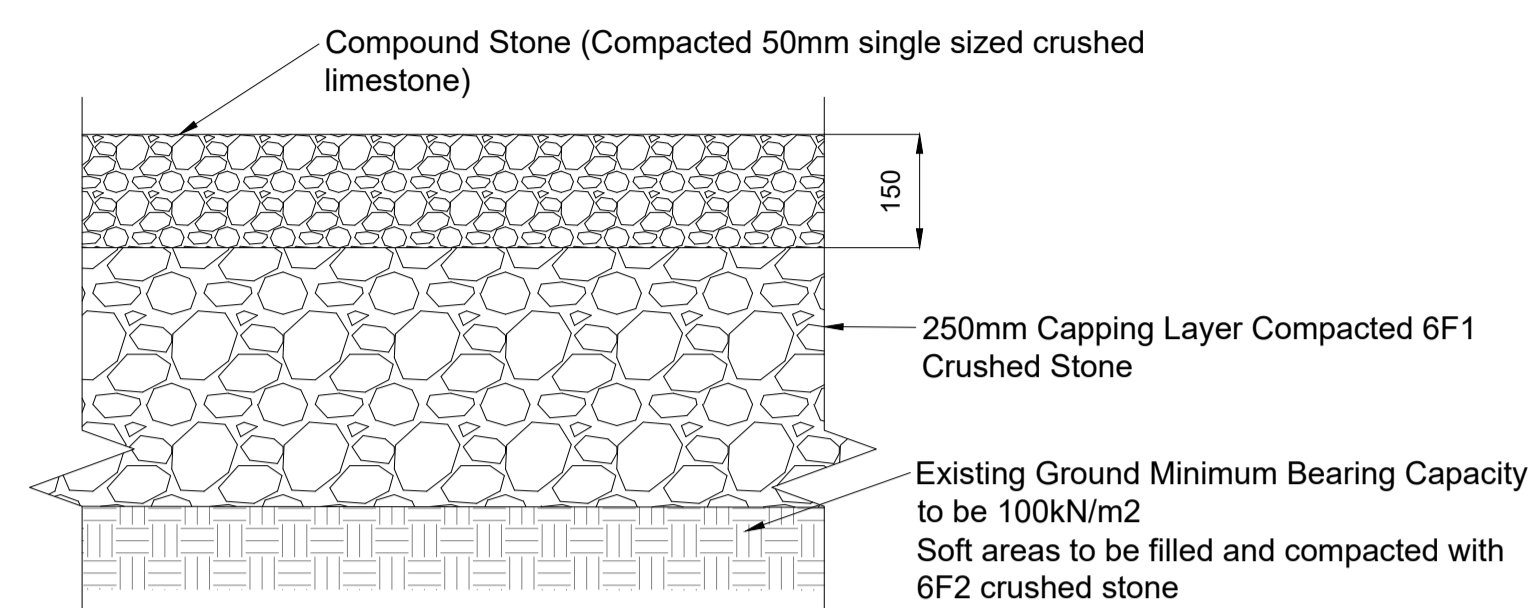
Location
Rathpatrick, Co. Kilkenny

Title
Substation Compound Details

Drawing Number
DRMDY-DR-012

Scale
1:20 @ A1

Drumdowney Solar Farm Limited
Commercial House
Milbank Business Park
Lucan
Dublin

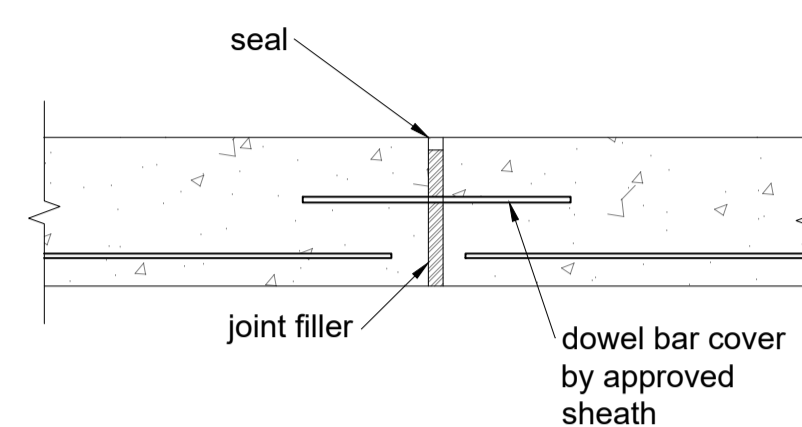


Typical Compound Detail

SCALE 1:10

Expansion joints should comprise of the following:
 - A joint filler board 25mm thick self expanding cork seal or from another approved compressible material
 - Dowel bars in an approved sheath shall be 25mm Ø at 300mm spacing conforming to IS EN 13877-3 with a minimum tensile strength of 250MPa
 - A sealing groove as above

expansion joints
max. 42m c/c

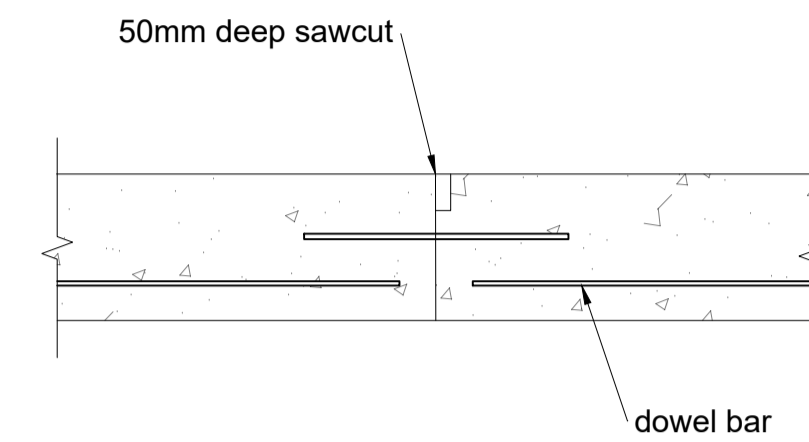


Concrete Access Road Expansion Joint

SCALE 1:10

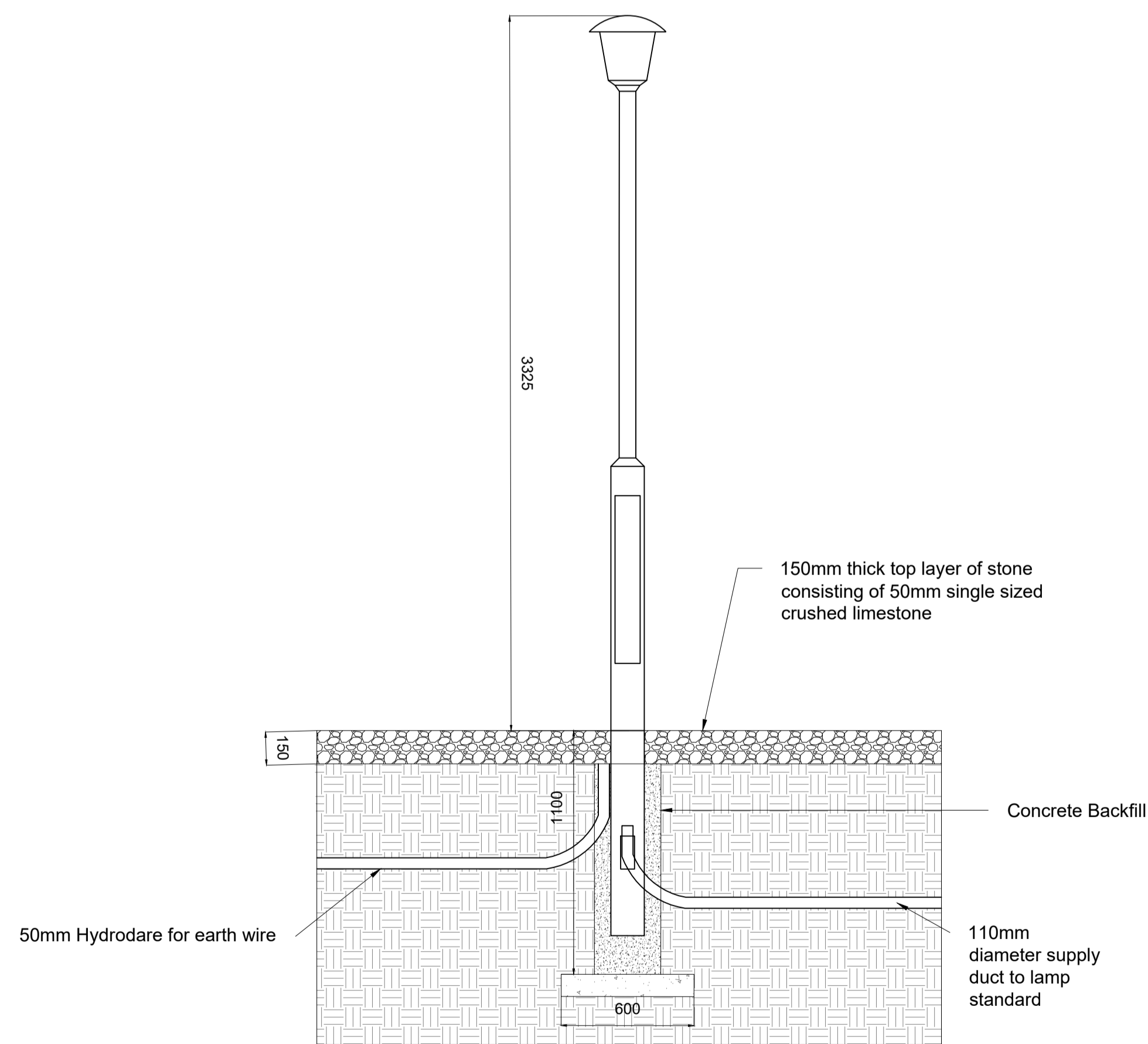
Contraction joints should comprise of the following:
 - A sawn groove joint 10mm wide at least 1/4 of the slab depth
 - Dowel bars shall be 20mm Ø at 300mm spacing conforming to IS EN 10060 and IS EN 13877-3 with a minimum tensile strength of 250 MPa
 - A sealing groove (seals shall be hot applied sealants Type N1 or Type F1 complying with IS EN 14185-1 and applied in accordance with BS 2499-2)

contraction joints
max. 14m c/c



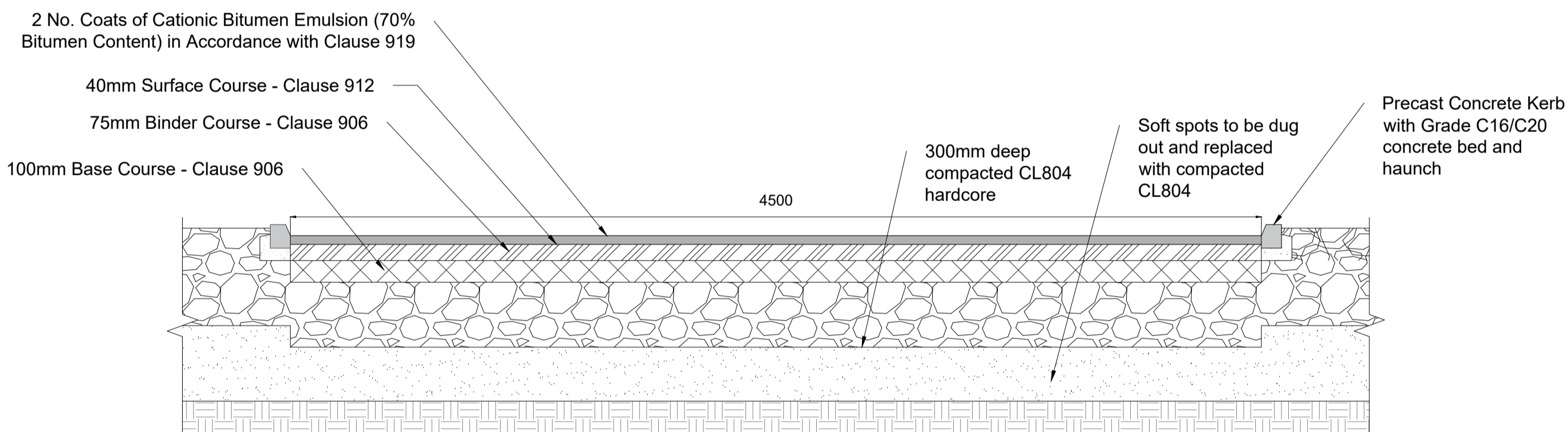
Concrete Access Road Contraction Joint

SCALE 1:10



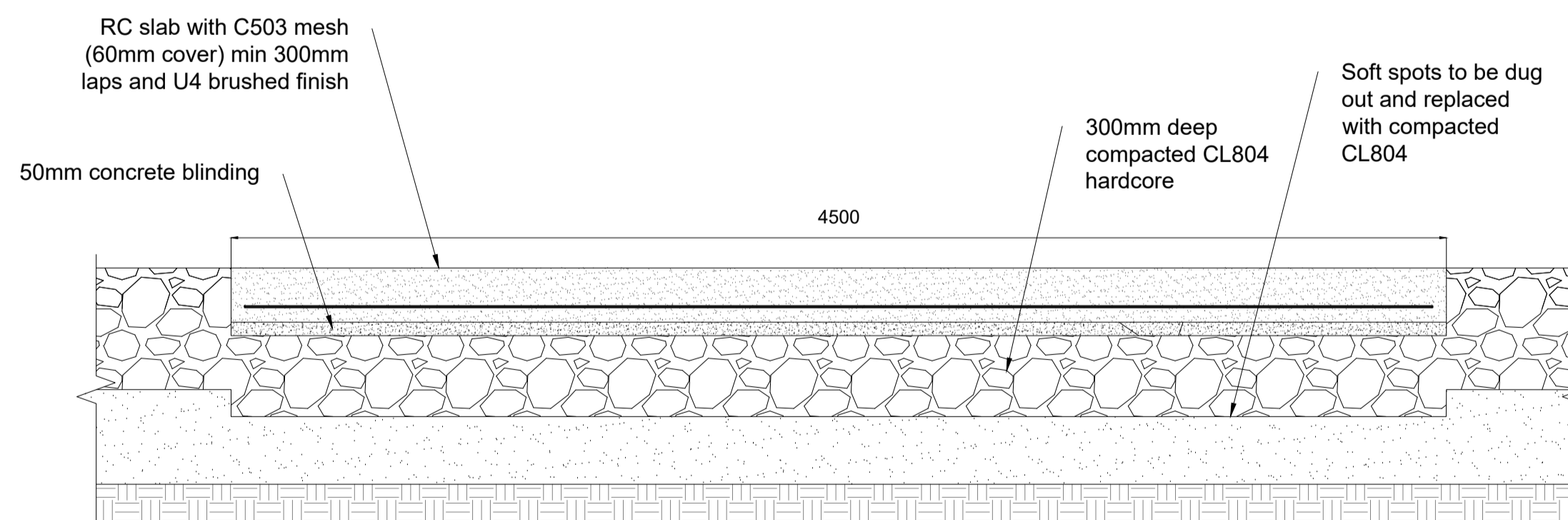
Lamp Standard and Surrounding Detail

SCALE 1:20



Typical Section - Concrete Access Road

SCALE 1:20



Typical Section - Asphalt Access Road

SCALE 1:20